

Figure D1. Circuit Schematic (Full View)

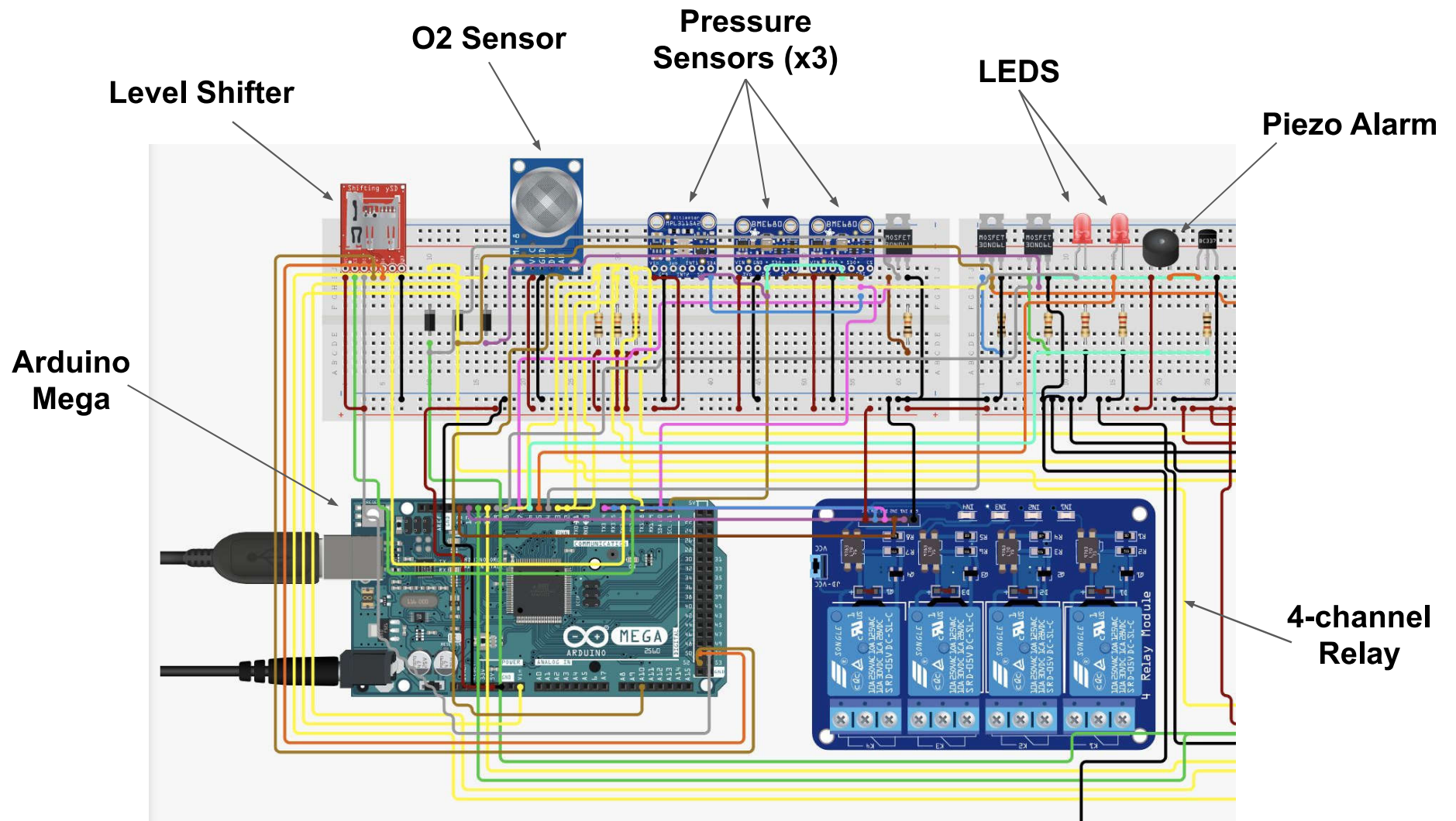


Figure D2. Circuit Schematic (Detail View)