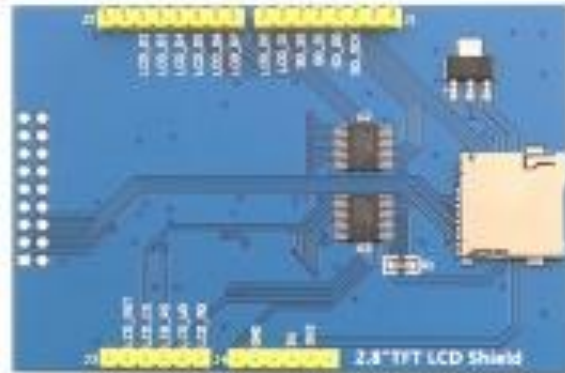
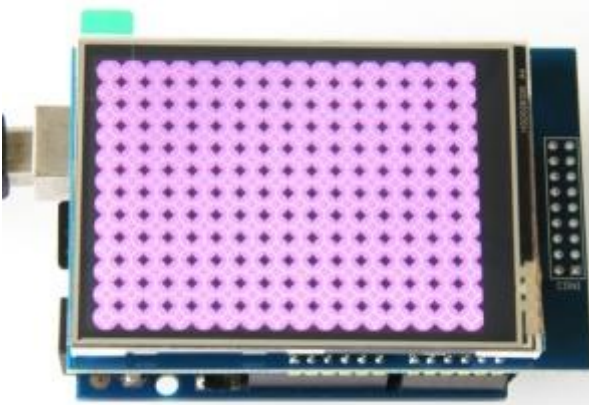


2.8inch Arduino Display

Product Image



TOP



Bottom

product description

- Support Arduino UNO and Mega2560 development boards plug-in use, no wiring required
- 320X240 resolution, clear display, support touch function
- Using 8-bit parallel bus, refresh faster than serial SPI
- With SD card slot for easy expansion of experiments
- Provide Arduino library, provide rich sample programs
- Military-grade process standards, long-term stable work
- Provide underlying drive technology support

Product parameter

name	parameter
Display color	RGB color
SKU	MAR2808
size	2.8(inch)
Types of	TFT
Driver chip	ILI9341
Resolution	320*240 (Pixel)
Module interface	8-bit parallel interface
Effective display area	43.2*57.6(mm)
Module PCB size	52.70*78.22(mm)
Operating temperature	-20°C~60°C
Operating Voltage	5V

Interface definition



Serial number	Label	Pin description
1	LCD_RST	LCD bus reset signal, low level reset
2	LCD_CS	LCD bus chip select signal, low level enable
3	LCD_RS	LCD bus command/data selection signal, low level: command, high level: data
4	LCD_WR	LCD bus write signal
5	LCD_RD	LCD bus read signal

6	GND	Power ground
7	5V	5V power input
8	3V3	NC this pin cannot be connected
9	LCD_D0	LCD 8-bit data Bit0
10	LCD_D1	LCD 8-bit data Bit1
11	LCD_D2	LCD 8-bit data Bit2
12	LCD_D3	LCD 8-bit data Bit3
13	LCD_D4	LCD 8-bit data Bit4
14	LCD_D5	LCD 8-bit data Bit5
15	LCD_D6	LCD 8-bit data Bit6
16	LCD_D7	LCD 8-bit data Bit7
17	SD_SS	SD card SPI bus chip select signal, low level enable
18	SD_DI	SD card SPI bus MOSI signal
19	SD_DO	SD card SPI bus MISO signal
20	SD_SCK	SD card SPI bus clock signal

Connect with Arduino



Arduino UNO straight plug



Arduino Mega2560 in-line