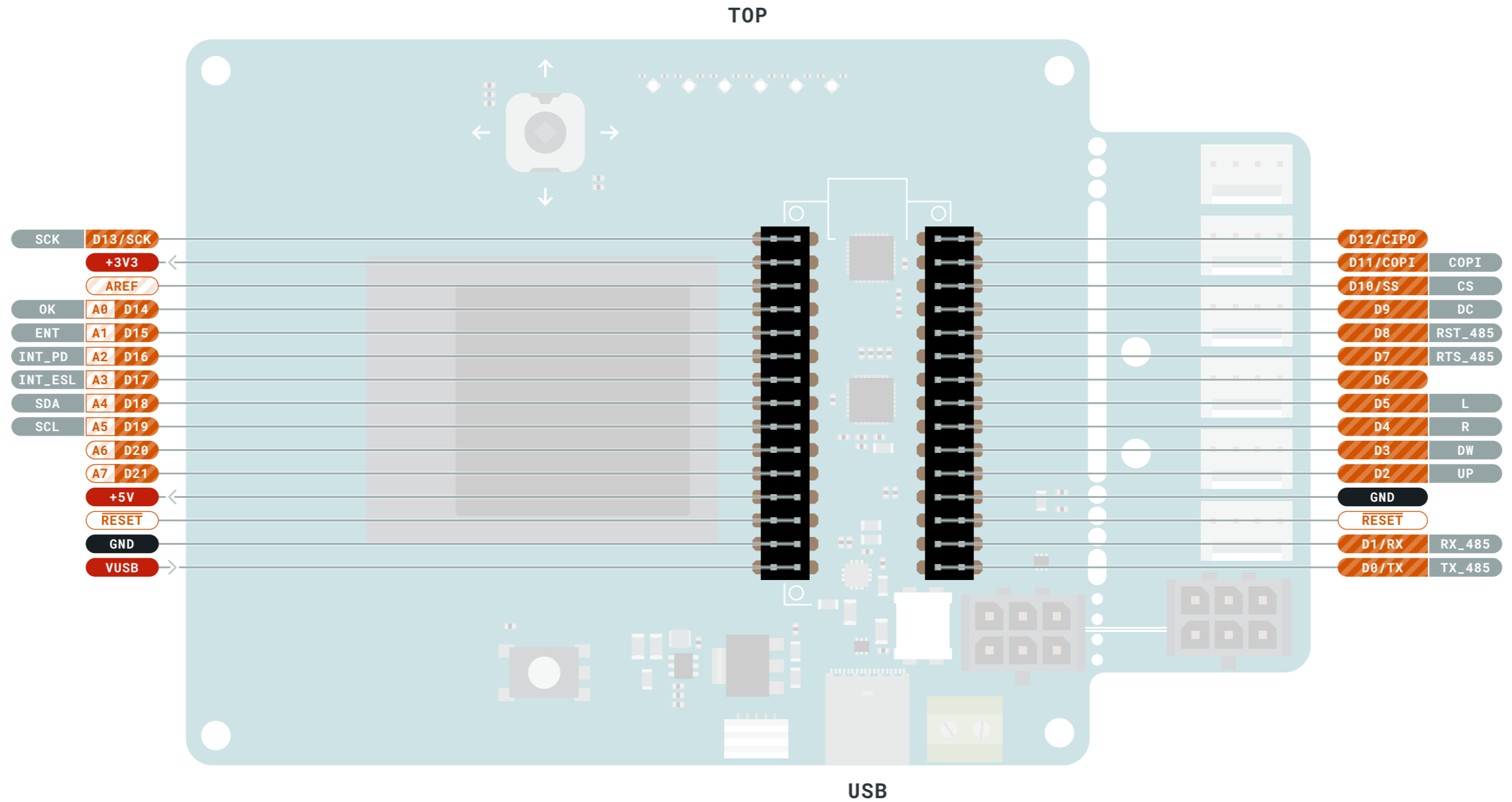


- Ground
- Power
- LED
- Internal Pin
- SWD Pin
- Digital Pin
- Analog Pin
- Other Pin
- Microcontroller's Port
- Default

⚠ WARNING The whole system is powered with the USB-C PPS3.0 compliant power supply included in the kit. The micro USB connector on Nano board will only power the Nano itself and not the motors.

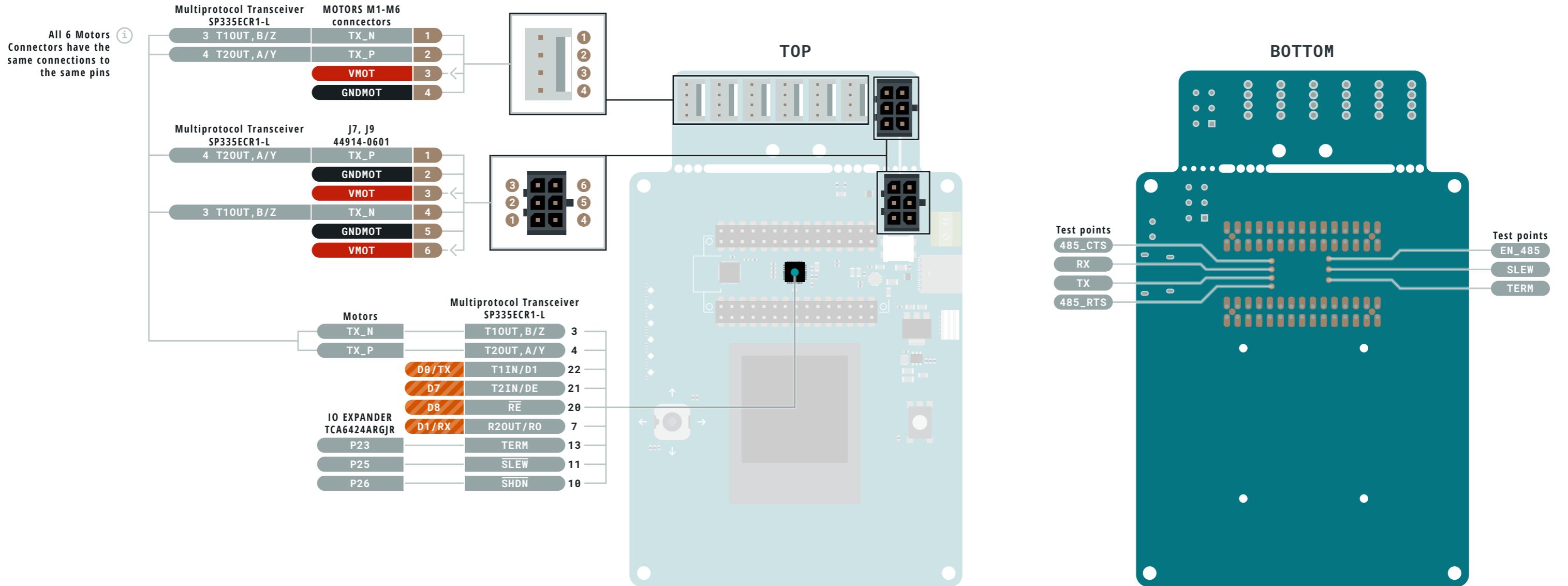




- Ground
- Power
- LED
- Internal Pin
- SWD Pin
- Digital Pin
- Analog Pin
- Other Pin
- Microcontroller's Port
- Default

WARNING The whole system is powered with the USB-C PPS3.0 compliant power supply included in the kit. The micro USB connector on Nano board will only power the Nano itself and not the motors.

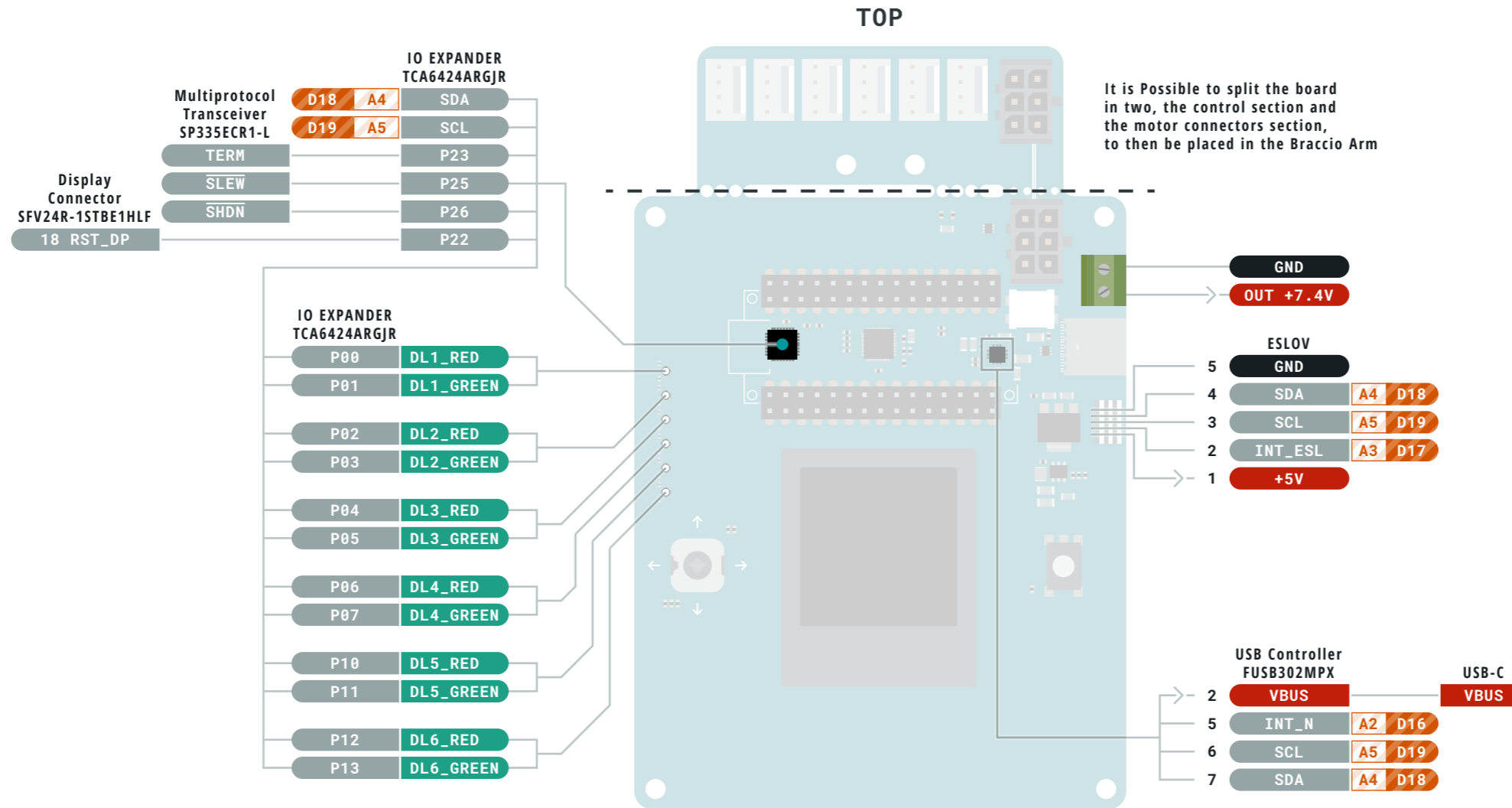




- Ground
- Power
- LED
- Internal Pin
- SWD Pin
- Digital Pin
- Analog Pin
- Other Pin
- Microcontroller's Port
- Default

WARNING The whole system is powered with the USB-C PPS3.0 compliant power supply included in the kit. The micro USB connector on Nano board will only power the Nano itself and not the motors.

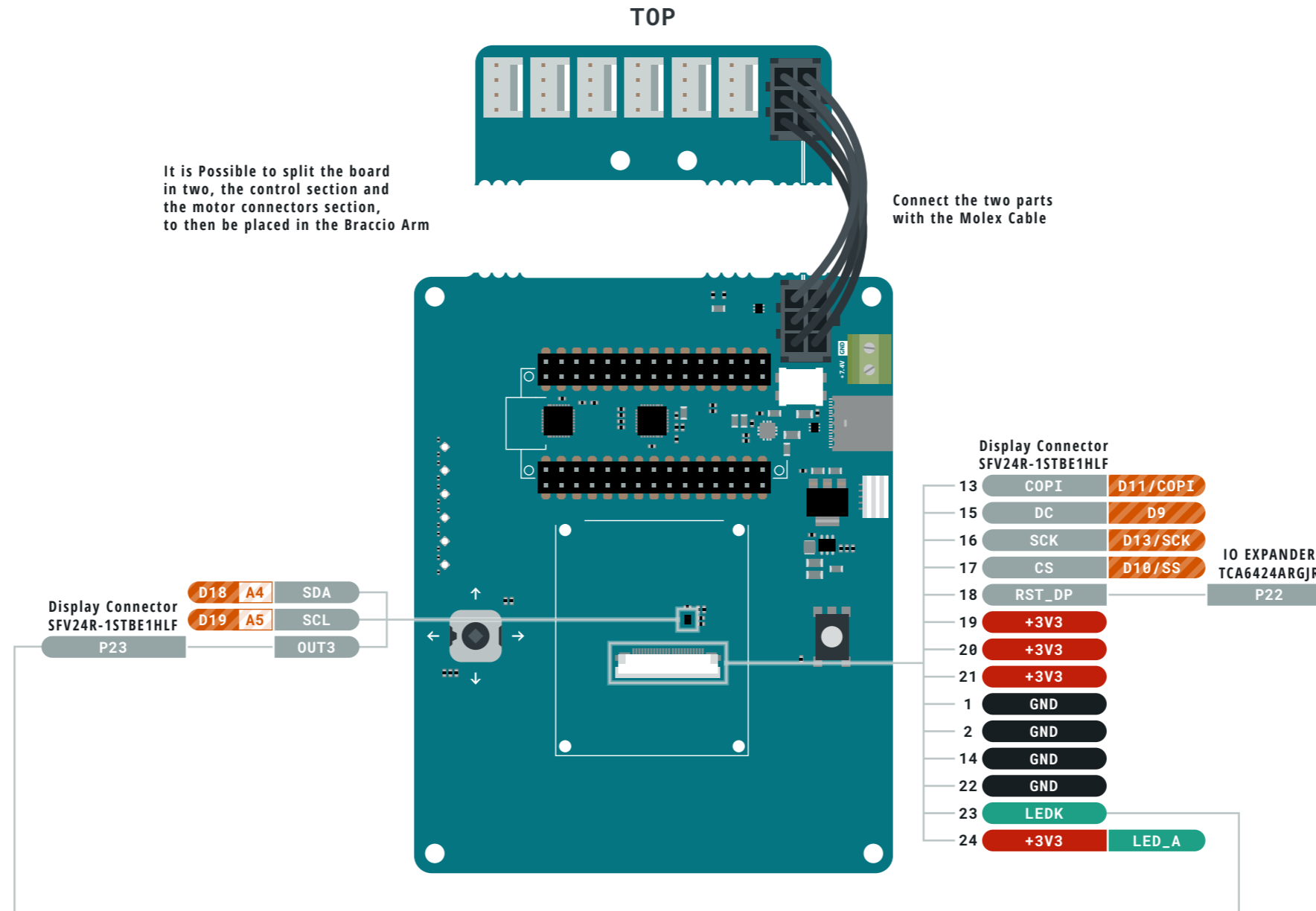




- Ground
- Power
- LED
- Internal Pin
- SWD Pin
- Digital Pin
- Analog Pin
- Other Pin
- Microcontroller's Port
- Default

WARNING The whole system is powered with the USB-C PPS3.0 compliant power supply included in the kit. The micro USB connector on Nano board will only power the Nano itself and not the motors.





- Ground
- Power
- LED
- Internal Pin
- SWD Pin
- Digital Pin
- Analog Pin
- Other Pin
- Microcontroller's Port
- Default

WARNING The whole system is powered with the USB-C PPS3.0 compliant power supply included in the kit. The micro USB connector on Nano board will only power the Nano itself and not the motors.

